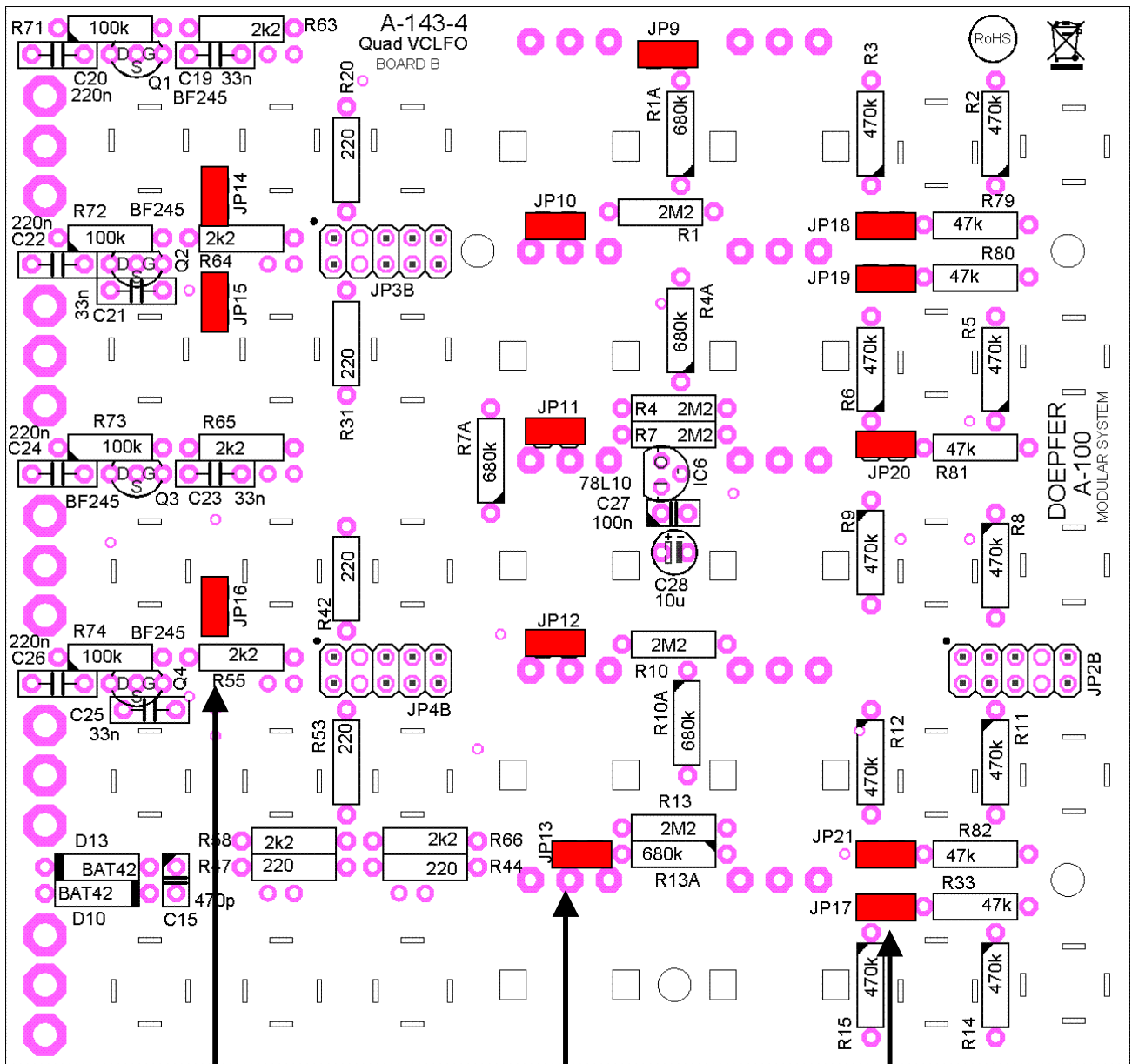


JP5 ... JP7: The jumper positions shown correspond to "up". If the jumper is installed at the other position the function is "down". If the jumper is removed the function is "both".

JP8: installed: Bus CV affects the frequency of all four LFOs/VCOs
not installed: Bus CV does not affect the LFOs/VCOs



**JP14/15/16:
Connection of Reset and Direction**

unit #1 (JP14), #2 (JP15), #3 (JP16)

jumper not installed: Reset only
jumper installed: Direction = Reset

**JP18/19/21/21/22:
Super Low mode**

unit #1 (JP18), #2 (JP19), #3 (JP20), #4 (JP21)
and common control (JP17)

jumper not installed: no super low mode
jumper installed: super low mode, i.e. a negative
voltage is connected to the switching contact of
CV2 socket (i.e. CV2 is normalled to negative
voltage)

**JP9/10/11/12/13:
Range of manual frequency controls**

unit #1 (JP9), #2 (JP10), #3 (JP11), #4 (JP12)
and common control (JP13)

jumper not installed: ~ ±1 octave range
jumper installed: ~ ±5 octave range